

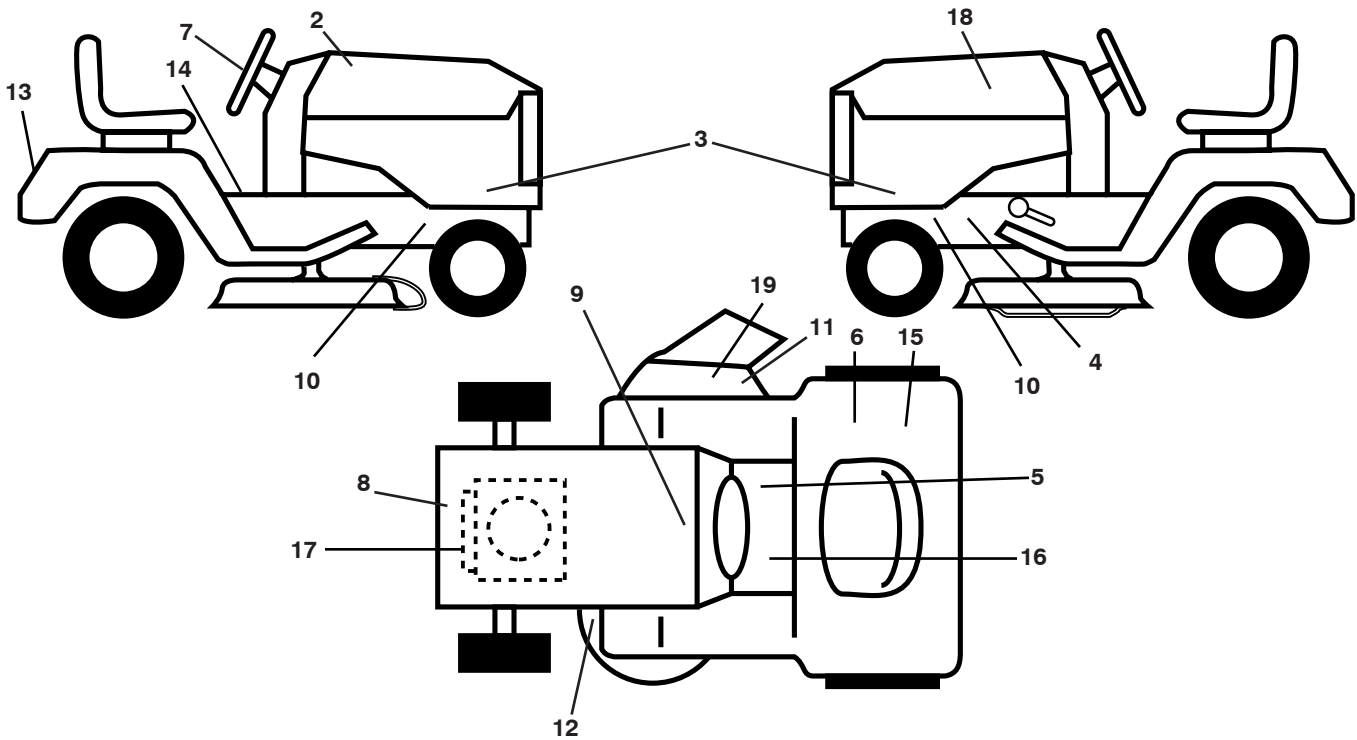
ILLUSTRATED PARTS LIST

MFG. ID NO. 96041001502

CUSTOMER CATALOG NO. P145107HP

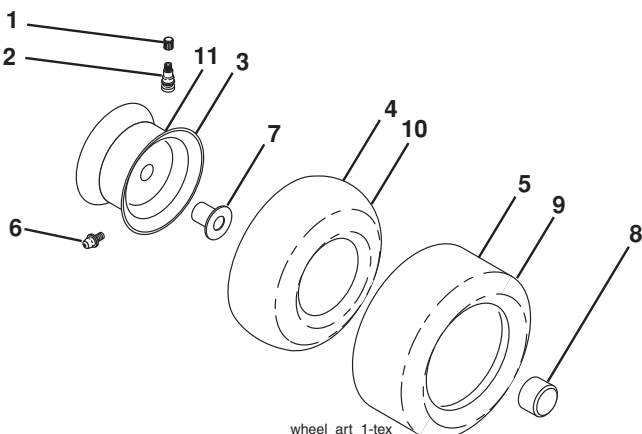
PRODUCT NO. 960 41 00 15

**TRACTOR - MODEL NO. P145107HP (96041001502), PRODUCT NO. 960 41 00 15
DECALS**



KEY NO.	PART NO.	DESCRIPTION	KEY NO.	PART NO.	DESCRIPTION
2	532 40 81-81	Decal, Hood RH	15	532 17 83-02	Decal, Operator Cruise Symbol
3	532 40 86-35	Decal, Hood Panel SD	16	532 15 97-37	Decal, Brake/Clutch Sym.
4	532 15 97-36	Decal, Hot Muffler	17	532 41 67-25	Decal, Eng H.P.
5	532 14 08-37	Decal, Saddle Brake Parking	18	532 40 81-83	Decal, Hood LH
6	532 18 04-32	Decal, 100 DB/CE	19	532 18 21-66	Decal, Warn.
7	532 40 80-55	Decal, Steering Wheel	--	532 16 69-60	Decal, Bypass
8	532 19 68-41	Decal, Warn. Eng. Sym.	--	532 16 25-98	Decal, Load Limit
9	532 14 50-05	Decal, Battery Dnge/Poi	--	532 40 95-05	Pad, Footrest, LH
10	532 18 56-51	Decal Chas. Turbo Collector	--	532 40 95-07	Pad, Foot Pedal Control
11	532 19 63-57	Decal, Warning	--	532 40 88-47	Manual Operator's Euro
12	532 16 03-96	Decal, Mower V-Belt Schematic	--	532 40 88-48	Manual Operator's Scand
13	532 40 86-36	Decal, Fender	--	532 41 19-87	Manual Operator's E-Bloc
14	532 40 03-89	Decal, CE	--	532 41 19-88	Manual Operator's Baltic

WHEELS AND TIRES



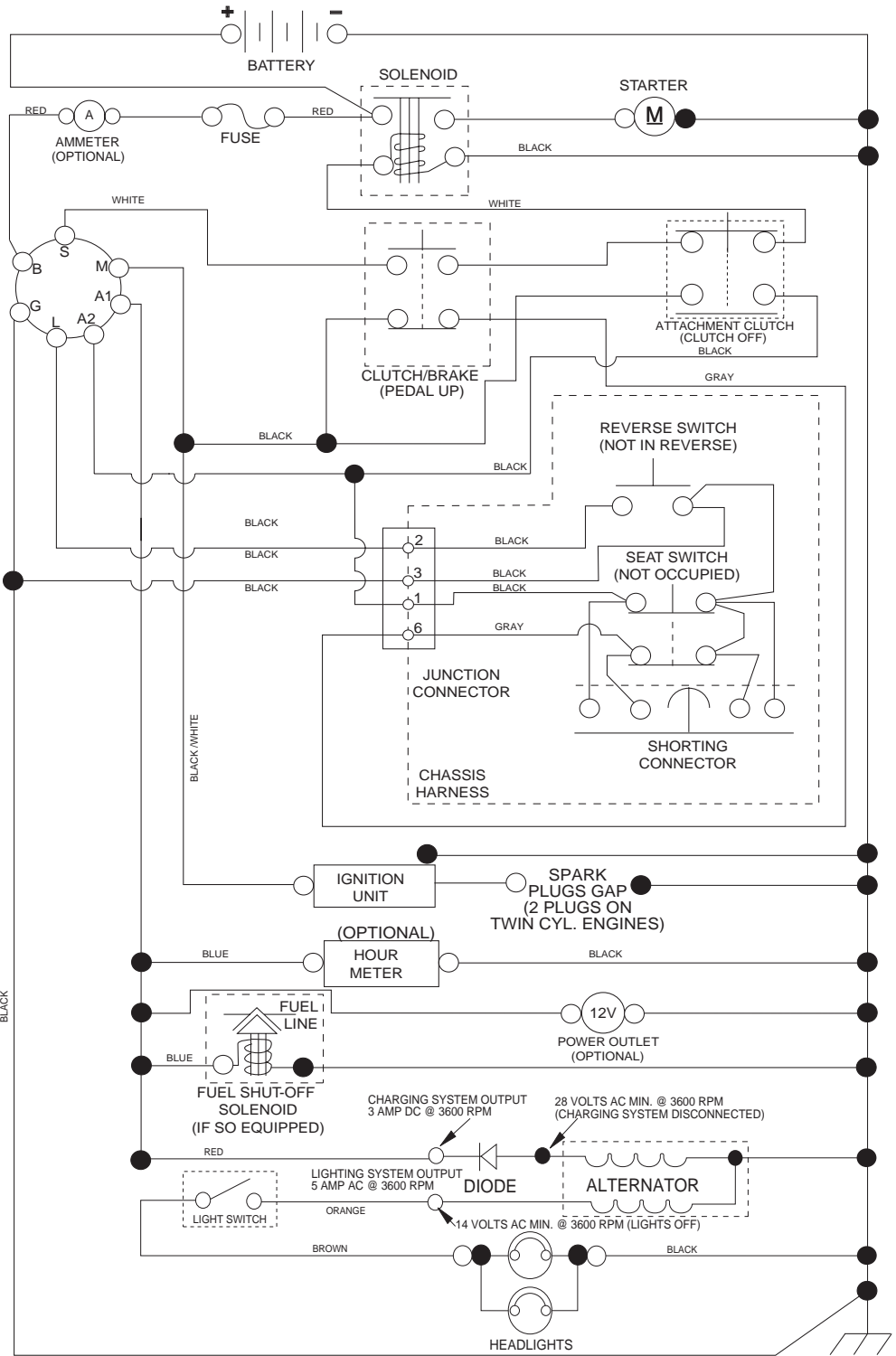
KEY NO.	PART NO.	DESCRIPTION
1	532 05 91-92	Cap Valve Tire
2	532 06 51-39	Stem Valve
3	532 12 51-21	Rim Asm Front Service
4	532 05 99-04	Tube Front (Service Item Only)
5	532 10 62-22	Tire F T 15 x 6 0 - 6 Service
6	532 12 49-57	Fitting Grease (Front Wheel Only)
7	532 12 49-59	Bearing Flange (Front Wheel nly)
8	532 17 50-39	Cap Axle Blk 1 50 x 1 00
9	532 13 84-68	Tire R T Service
10	532 12 49-26	Tube Rear (Service Item Only)
11	532 12 51-22	Rim Asm 8" rear Service
--	532 14 43-34	Sealant, Tire (10 oz. Tube)

NOTE: All component dimensions given in U.S. inches
1 inch = 25.4 mm

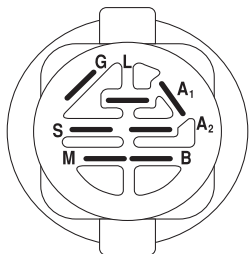
wheel_art_1-tex

TRACTOR - MODEL NO. P145107HP (96041001502), PRODUCT NO. 960 41 00 15 SCHEMATIC

SCH11

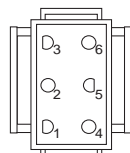


NOTE
YOUR TRACTOR IS EQUIPPED WITH A SPECIAL ALTERNATOR SYSTEM. THE LIGHTS ARE NOT CONNECTED TO THE BATTERY, BUT HAVE THEIR OWN ELECTRICAL SOURCE. BECAUSE OF THIS, THE BRIGHTNESS OF THE LIGHTS WILL CHANGE WITH ENGINE SPEED. AT IDLE THE LIGHTS WILL DIM. AS THE ENGINE IS SPEEDED UP, THE LIGHTS WILL BECOME THEIR BRIGHTEST.

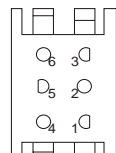


IGNITION SWITCH

POSITION	CIRCUIT	"MAKE"
OFF	M+G+A1	
RUN/OVERRIDE	B+A1	
RUN	B+A1	L+A2
START	B + S + A1	



CHASSIS HARNESS CONNECTOR (MATING SIDE)



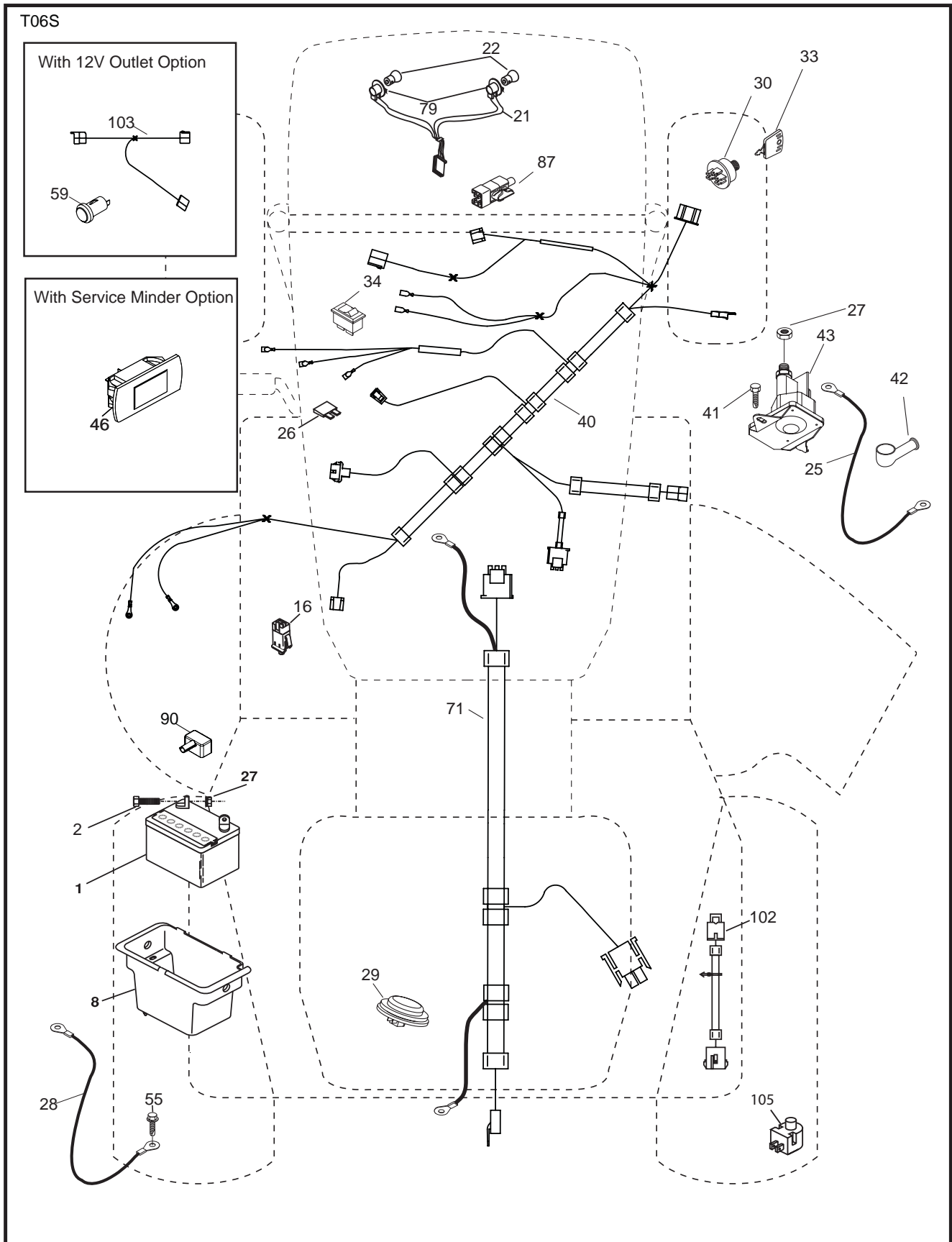
DASH HARNESS CONNECTOR (MATING SIDE)

WIRING INSULATED CLIPS
NOTE: IF WIRING INSULATED CLIPS WERE REMOVED FOR SERVICING OF UNIT, THEY SHOULD BE REPLACED TO PROPERLY SECURE YOUR WIRING.

● NON-REMOVABLE CONNECTIONS

○ REMOVABLE CONNECTIONS

**TRACTOR - MODEL NO. P145107HP (96041001502), PRODUCT NO. 960 41 00 15
ELECTRICAL**

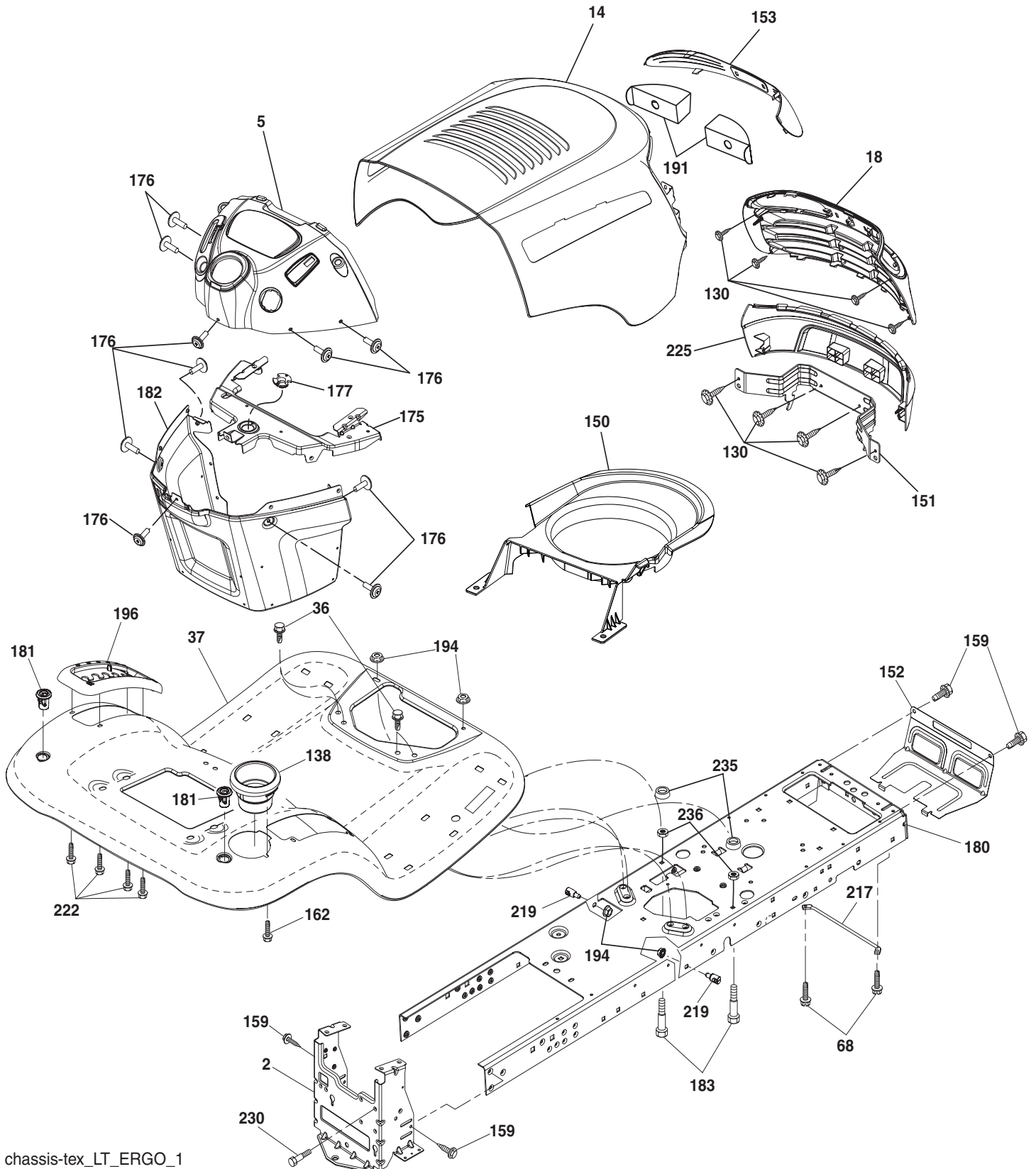


**TRACTOR - MODEL NO. P145107HP (96041001502), PRODUCT NO. 960 41 00 15
ELECTRICAL**

KEY NO.	PART NO.	DESCRIPTION
1	532 16 34-65	Battery
2	874 76 04-12	Bolt Hex Head 1/4-20 x 3/4
8	532 19 32-28	Box Battery
16	532 17 61-38	Switch Interlock Push-In
21	532 40 02-52	Harness Socket Light W/4152J
22	532 00 41-52	Bulb Light
25	532 40 16-62	Cable Starter
26	532 17 51-58	Fuse
27	873 51 04-00	Nut Keps Hex 1/4-20 UNC
28	532 19 88-85	Cable, Ground
29	532 40 15-45	Switch, Seat
30	532 19 33-50	Switch, Ign
33	532 41 19-35	Key/Chain
34	532 11 07-12	Switch Light / Reset
40	532 40 10-98	Harness Ign.
41	817 72 04-08	Screw Thd Cut 1/4-20 x 1/2
42	532 13 15-63	Cover, Terminal
43	532 19 25-07	Solenoid
55	817 06 05-12	Screw Thdrol 5/16-18 x 3/4
71	532 40 04-49	Harness Ign. Dash
79	532 17 52-42	Socket Asm.
87	532 19 78-02	Switch Interlock Clutch Cbl
90	532 40 07-25	Cover Terminal
102	532 40 44-54	Harness Pigtail
105	532 40 75-68	Switch reverse

NOTE: All component dimensions given in U.S. inches
1 inch = 25.4 mm

TRACTOR - MODEL NO. P145107HP (96041001502), PRODUCT NO. 960 41 00 15
CHASSIS



chassis-tex_LT_ERGO_1

**TRACTOR - MODEL NO. P145107HP (96041001502), PRODUCT NO. 960 41 00 15
CHASSIS**

KEY NO.	PART NO.	DESCRIPTION
2	532 19 42-63	Drawbar
5	532 40 95-97	Dash
14	532 40 95-98	Hood
18	532 40 18-28	Grille/Lens Asm.
36	817 00 05-12	Screw 5/16-18 x 3/4
37	532 41 44-56	Fender
68	817 49 05-08	Screw Thdrol 5/16-18 x 1/2
130	532 19 16-11	Screw 10 x 3/4 Single Lead-Hex
138	532 40 97-30	Cupholder
150	532 40 83-10	Air Duct
151	532 18 75-68	Bracket Pivot
152	532 19 43-29	Shield Browning
153	532 40 97-40	Lens
159	817 00 06-12	Screw 3/8-16 x 3/4
162	532 14 24-32	Screw
175	532 19 94-72	Crossmember
176	532 40 07-76	Screw 10-24 x 5/8
177	532 19 52-28	Bushing Steering
180	532 19 42-60	Chassis
181	532 40 47-96	Bushing Mtg. Fender Crgo
182	532 40 71-76	Dash Lower
183	874 78 05-20	Bolt Fin Hex 5/16-18 UNC x 1-1/4
191	532 40 18-27	Reflectors Insert
194	873 90 05-00	Nut Lock Hex Flange 5/16-18
196	532 41 05-84	Console Asm. Deck Lift
217	532 40 91-67	Rod Pivot
219	532 19 51-61	Stud Fastner
222	532 13 77-29	Screw Thdrol 1/4-20 x 5/8
225	532 40 95-85	Bumper
230	532 17 01-65	Bolt Shoulder 5/16-18
235	532 40 61-29	Spacer
236	873 93 05-00	Nut, Lock 5/16-18

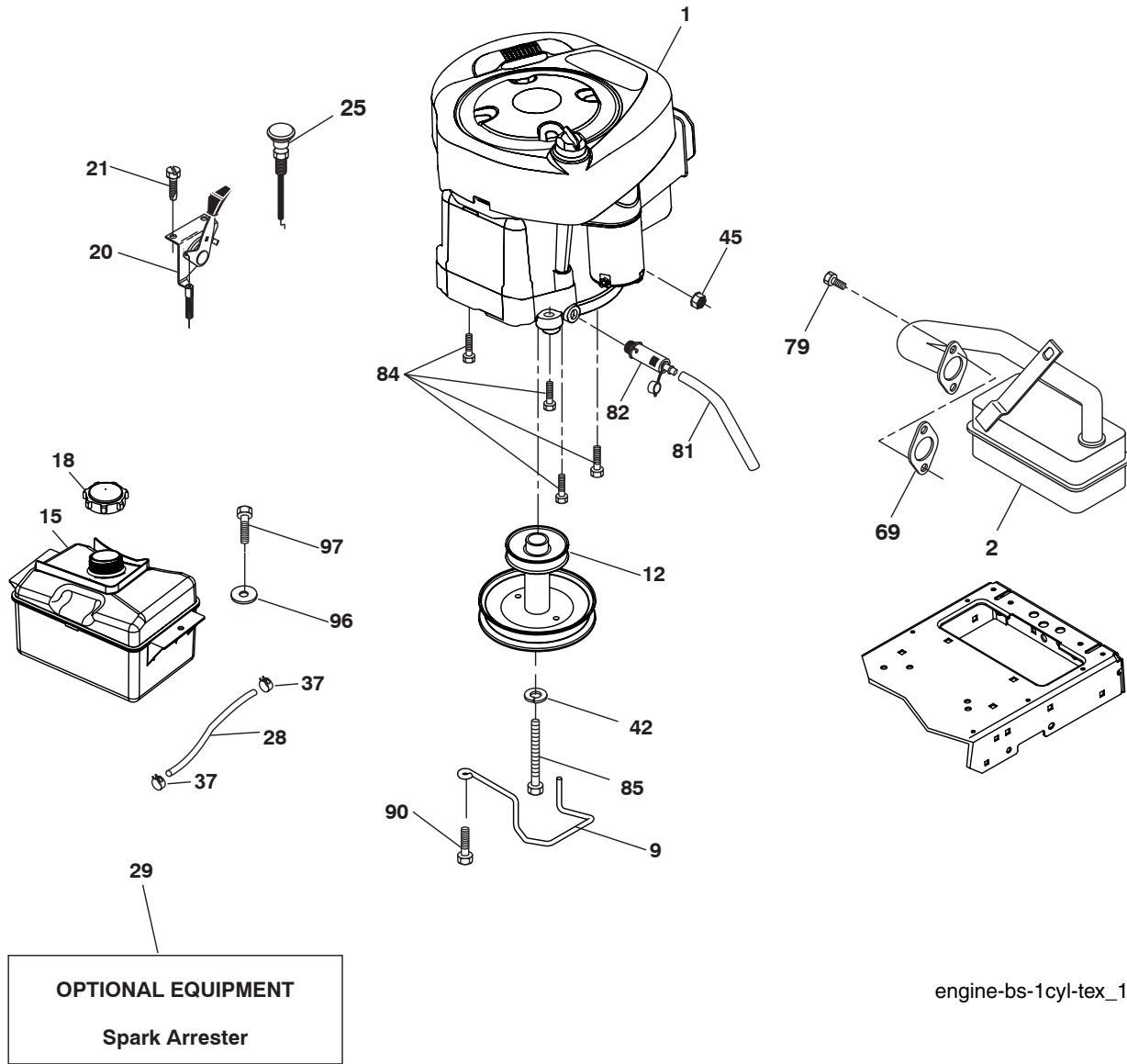
NOTE: All component dimensions given in U.S. inches
1 inch = 25.4 mm

**TRACTOR - MODEL NO. P145107HP (96041001502), PRODUCT NO. 960 41 00 15
DRIVE**

KEY NO.	PART NO.	DESCRIPTION	KEY NO.	PART NO.	DESCRIPTION
1	----	Transaxle, TUFF TORQ K46	171	872 11 06-16	Bolt
2	532 12 35-83	Key	183	532 13 70-57	Spacer Split
15	819 13 13-16	Washer 13/32 x 13/16 x 16 Ga.	184	532 40 97-47	Handle Parking Brake
17	532 41 36-78	Spring, Brake	185	872 11 06-20	Bolt
29	532 40 38-06	Rod, Brake	186	532 19 43-21	Spacer Retainer
33	812 00 00-01	Ring E	187	819 13 32-10	Washer
35	532 40 10-31	Rod, Brake, Park	188	532 19 43-23	Link Clutch Ground Drive
42	532 12 48-72	Cover, Foot Pedal	189	532 19 43-17	Bellcrank Ground Drive
49	872 11 06-14	Bolt	190	532 19 43-18	Keeper Bellcrank Ground Drive
50	532 19 43-27	Pulley Idler Flat	205	532 12 17-48	Washer
51	873 90 06-00	Lock Nut 3/8-16	210	532 40 09-80	Rocker Asm. Pedal Control
52	532 19 43-26	Idler V-Groove 910" Offset	211	532 12 01-83	Bearing, Nylon
56	532 13 09-69	V-Belt, Drive	214	532 40 17-22	Pad Pedal Forward
64	532 19 78-65	Shaft Asm. Pedal Brake Control	215	532 40 17-23	Pad Pedal Reverse
73	874 49 05-44	Bolt Hex Flghd 5/16-18 Gr. 5	221	532 40 31-87	Retainer Spring Clip Handle
80	532 41 00-24	Strap Torque	222	879 21 20-10	Washer
99	532 40 59-03	Rod Bypass	225	532 40 33-19	Keeper Belt Trans.
116	873 90 05-00	Nut Lock Hex Flange 5/16-18	226	532 40 15-64	Bracket Mount Torque
125	817 00 05-12	Screw 5/16-18 x 3/4	230	532 18 89-67	Washer Hardened
153	532 12 47-88	Retainer Spring	263	817 00 06-12	Screw 3/8-16 x 3/4
159	876 02 04-12	Pin Cotter 1/8 x 3/4	268	819 13 16-14	Washer 13/32 x 1 x 14 Ga.
160	532 16 94-84	Retainer Clip	275	532 18 24-02	Guard Muffler
161	532 10 57-09	Spring, Return, Clutch			
163	532 40 10-34	Rod Pedal Control			
166	532 19 72-90	Nut, Push			
167	532 40 52-57	Latch Brake Parking			
170	532 19 43-22	Keeper Belt Centerspan			

NOTE: All component dimensions given in U.S. inches.
1 inch = 25.4 mm

**TRACTOR - MODEL NO. P145107HP (96041001502), PRODUCT NO. 960 41 00 15
ENGINE**



**TRACTOR - MODEL NO. P145107HP (96041001502), PRODUCT NO. 960 41 00 15
ENGINE**

KEY NO.	PART NO.	DESCRIPTION
1	-----	Engine Brigg Model No. 31A507
2	532 13 73-52	Muffler
9	532 19 43-20	Keeper Belt Engine
12	532 40 54-71	Pulley Engine
15	532 40 75-45	Tank Fuel
18	532 19 77-25	Cap Asm
20	532 41 17-24	Control Throttle
21	532 19 16-11	Screw 10 x 3/4 Single Lead-Hex
25	532 19 49-81	Control Choke
28	532 13 70-40	Fuel Line
29	532 13 71-80	Spark Arrester Kit
37	532 12 34-87	Clamp Hose
42	810 04 07-00	Washer Lock 7/16
45	873 51 04-00	Nut Keps Hex 1/4-20 UNC
69	532 16 52-91	Gasket
79	532 19 23-34	Screw Socket 5/16-18 x .75
81	532 14 84-56	Tube Drain Oil Easy
82	532 18 16-54	Plug Drain Oil
84	817 06 06-20	Screw 3/8-16 x 1-1/4
85	532 17 39-37	Bolt 7/16-20 x 4 Gr. 5 - 1.5 Thr.
90	817 00 06-16	Screw 3/8-16 x 1
96	819 09 14-16	Washer 9/32 x 7/8 x 16 Ga
97	817 67 04-12	Screw Hexwsh Thdrol 1/4-20 x 3/4

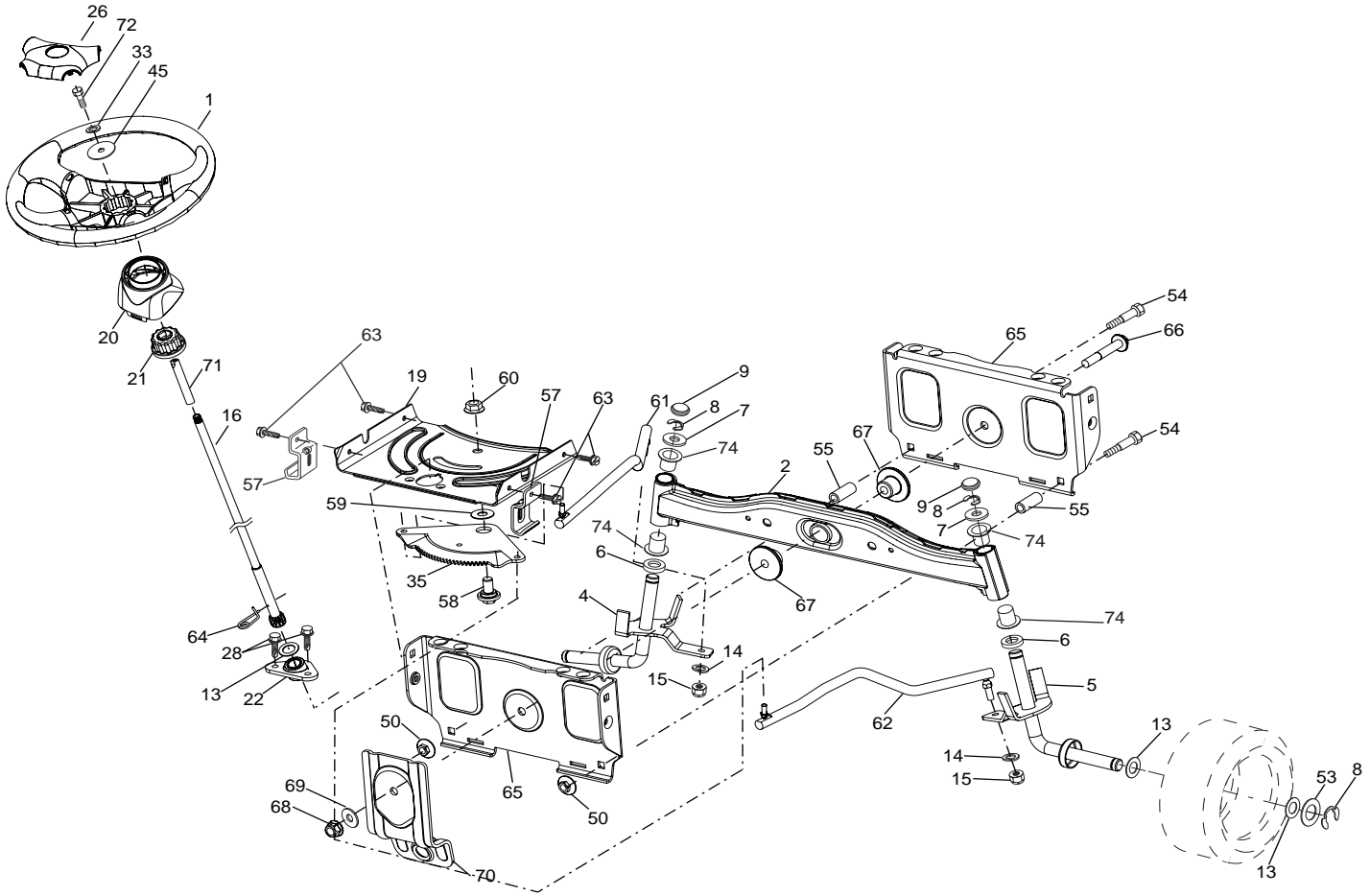
NOTE: All component dimensions given in U.S. inches
1 inch = 25.4 mm

Engine Power Rating Information

The gross power rating for individual gas engine models is labeled in accordance with SAE (Society of Automotive Engineers) code J11940 (Small Engine Power & Torque Rating Procedure), and rating performance has been obtained and corrected in accordance with SAE J1995 (Revision 2002-5). Actual gross engine power will be lower and is affected by, among other things, ambient operating conditions and engine-to-engine variability. Given both the wide array of products on which engines are placed and the variety of environmental issues applicable to operating the equipment, the gas engine will not develop the rated gross power when used in a given piece of power equipment (actual "on-site" or net horsepower). This difference is due to a variety of factors including, but not limited to, accessories (air cleaner, exhaust, charging, cooling, carburetor, fuel pump, etc.), application limitations, ambient operating conditions (temperature, humidity, altitude), and engine-to-engine variability. Due to manufacturing and capacity limitations, Briggs & Stratton may substitute an engine of higher rated power for this Series engine.

TRACTOR - MODEL NO. P145107HP (96041001502), PRODUCT NO. 960 41 00 15

STEERING ASSEMBLY

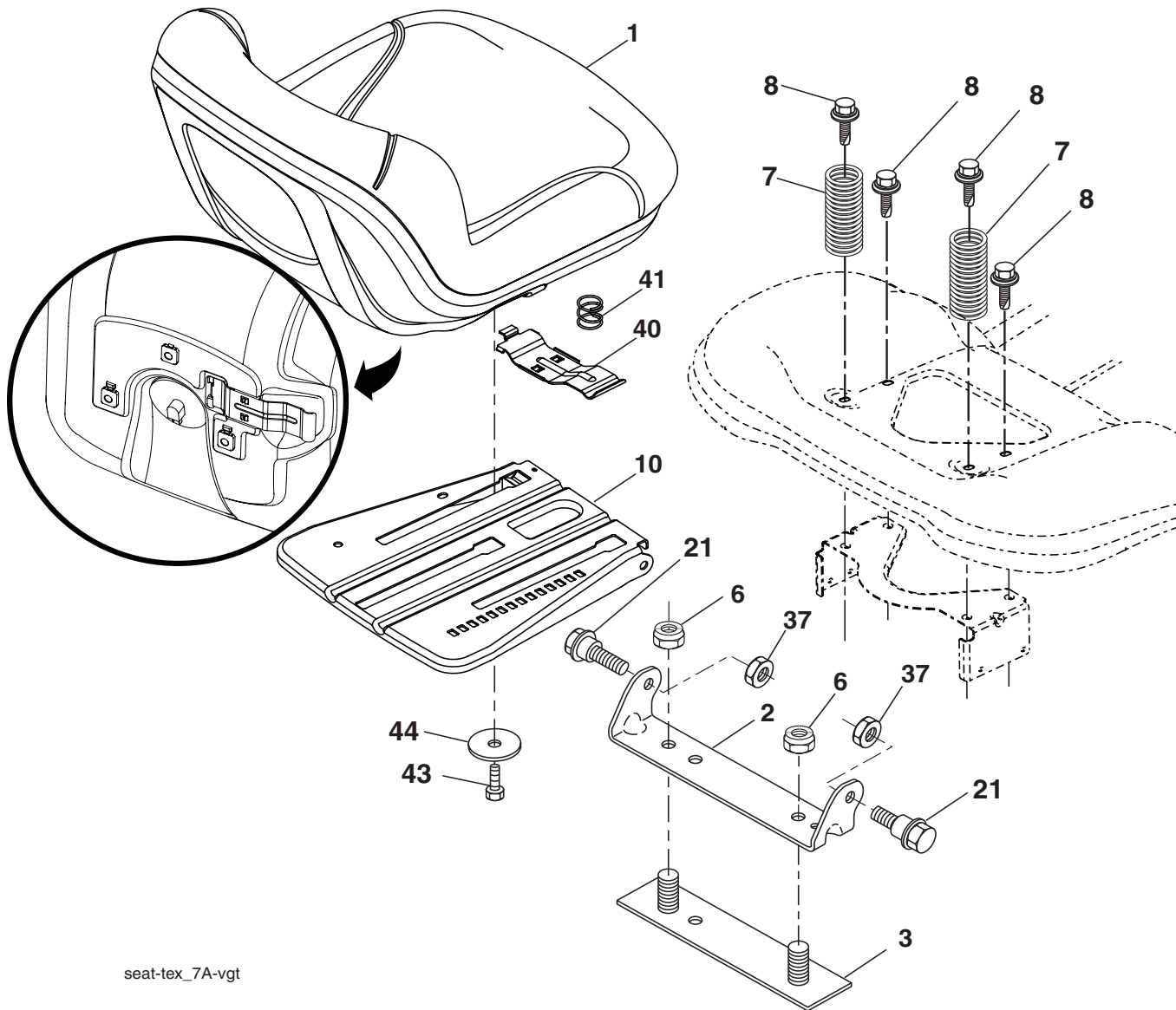


steering-tex_11-It

KEY NO.	PART NO.	DESCRIPTION	KEY NO.	PART NO.	DESCRIPTION
1	532 19 45-95	Wheel, Steering	54	874 76 06-36	Bolt Hex 3/8-16 UNC x 2-1/4
2	532 19 56-73	Axle Asm., Front	55	532 19 76-36	Spacer Brace Axle
4	532 40 30-87	Spindle Asm., LH	57	532 40 74-65	Bracket Upstop
5	532 40 30-88	Spindle Asm., RH	58	532 19 47-47	Bolt Shoulder Sector Pivot CFM
6	532 12 49-31	Bearing, Race Thrust Harden	59	532 19 47-48	Washer Thrust Sector Steering
7	532 12 17-48	Washer 25/32 x 1-5/8 x 16 Ga.	60	873 97 10-00	Nut Flange Lock 5/8-11
8	812 00 00-29	Ring, Klip #T5304-75	61	532 19 47-40	Draglink LH
9	532 12 12-32	Cap, Spindle	62	532 19 47-41	Draglink, RH
13	532 12 17-49	Washer 25/32 x 1-1/4 x 16 Ga.	63	817 00 05-12	Screw 5/16-18 x 3/4
14	810 04 06-00	Washer, Lock Hvy Hlcl Spr 3/8	64	532 19 98-49	Retainer Clip Spring Steering
15	873 54 06-00	Nut, Crown Lock 3/8-24 unf	65	532 19 47-34	Brace Axle Front
16	532 19 60-74	Shaft Steering	66	871 02 07-48	Bolt Hex Fghd 7/16-14 x 3 Serr
19	532 19 47-29	Plate Steering	67	532 19 47-37	Bushing PM Front Axle
20	532 40 97-63	Boot Steering	68	873 90 07-00	Nut Lock Flange 7/16-14 Gr. 5
21	532 18 67-37	Adapter, Wheel Steering	69	532 19 91-62	Washer 1.5 x .505 x .118
22	532 19 48-45	Bushing, Strg. Blk	70	532 19 61-97	Bracket Deck Susp. Front
26	532 19 46-03	Insert, Wheel Steering	71	532 19 60-75	Shaft Extension Steering
28	817 00 06-12	Screw 3/8-16 x 3/4	72	874 78 05-72	Bolt 5/16-18 x 4.5 Gr. 5
33	810 04 05-00	Washer Lock 5/16	74	532 12 49-37	Bearing Col. Strg.
35	532 19 47-32	Gear, Sector Plate			
45	819 11 38-12	Washer 11/32 x 2-3/8 x 12 Ga.			
50	873 90 06-00	Nut Lock 3/8-16 UNC			
53	532 18 89-67	WasherHardened.793x1.637x.060			

NOTE: All component dimensions given in U.S. inches
1 inch = 25.4 mm

**TRACTOR - MODEL NO. P145107HP (96041001502), PRODUCT NO. 960 41 00 15
SEAT ASSEMBLY**



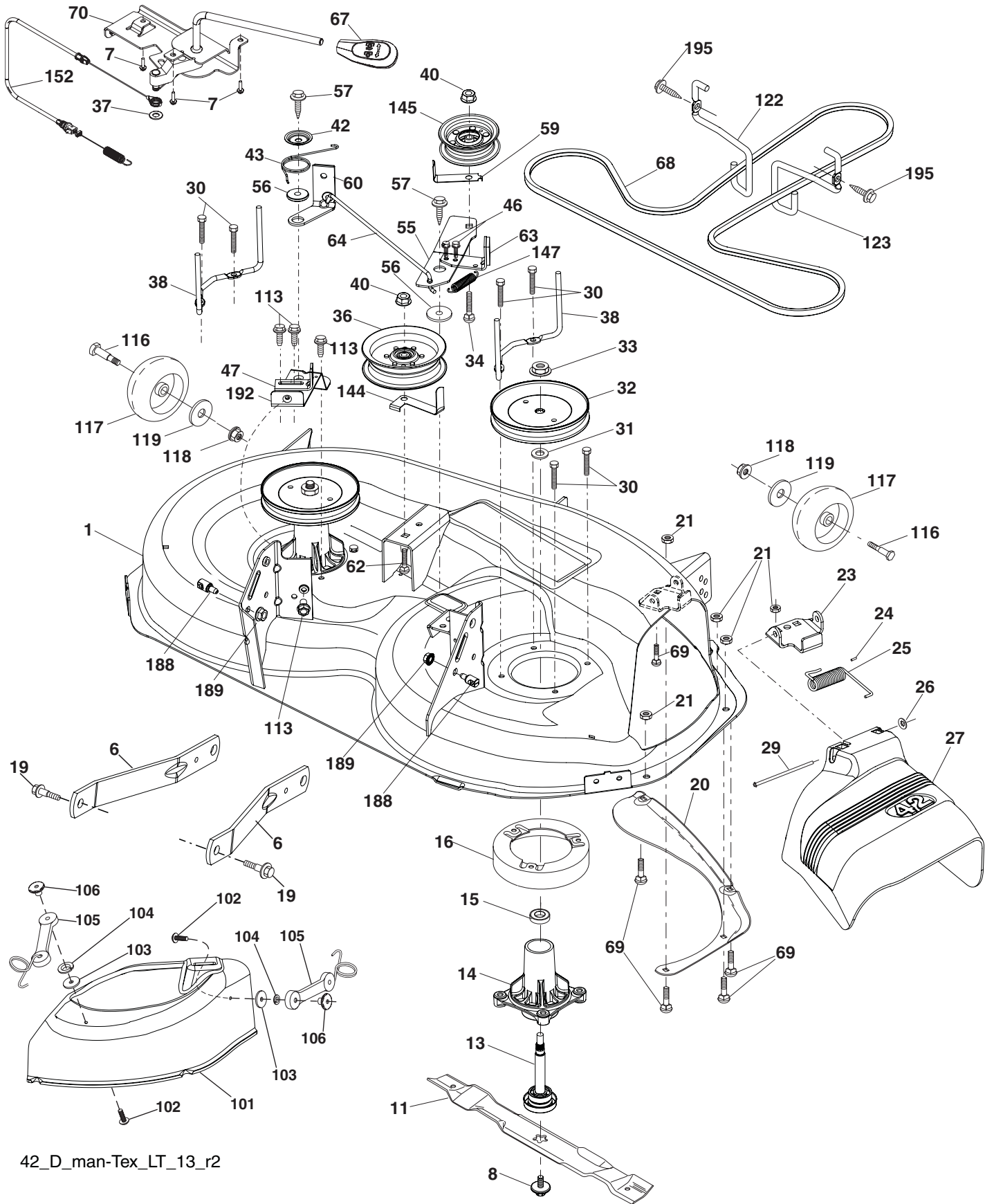
seat-tex_7A-vgt

KEY NO.	PART NO.	DESCRIPTION
1	532 19 75-11	Seat
2	532 18 01-66	Bracket Pivot Fender
3	532 14 06-75	Strap, Asm Fender
6	873 80 06-00	Nut, Lock W/Ins. 3/8-16 UNC
7	532 12 41-81	Spring, Seat Cprsn
8	532 17 18-77	Bolt 5/16-18 UNCx 3/4 w/Sems
10	532 19 91-80	Pan, Seat

KEY NO.	PART NO.	DESCRIPTION
21	532 17 18-52	Bolt, Shoulder 5/16-18
37	873 80 05-00	Nut, Lock 5/16-18 UNC
40	532 19 76-61	Handle Slide Seat
41	532 19 82-00	Spring Latch
43	874 76 06-12	Bolt 3/8-16 x 3/4
44	819 13 38-12	Washer 13/32 x 2-3/8 x 12 Ga.

NOTE: All component dimensions given in U.S. inches
1 inch = 25.4 mm

TRACTOR - MODEL NO. P145107HP (96041001502), PRODUCT NO. 960 41 00 15
MOWER DECK



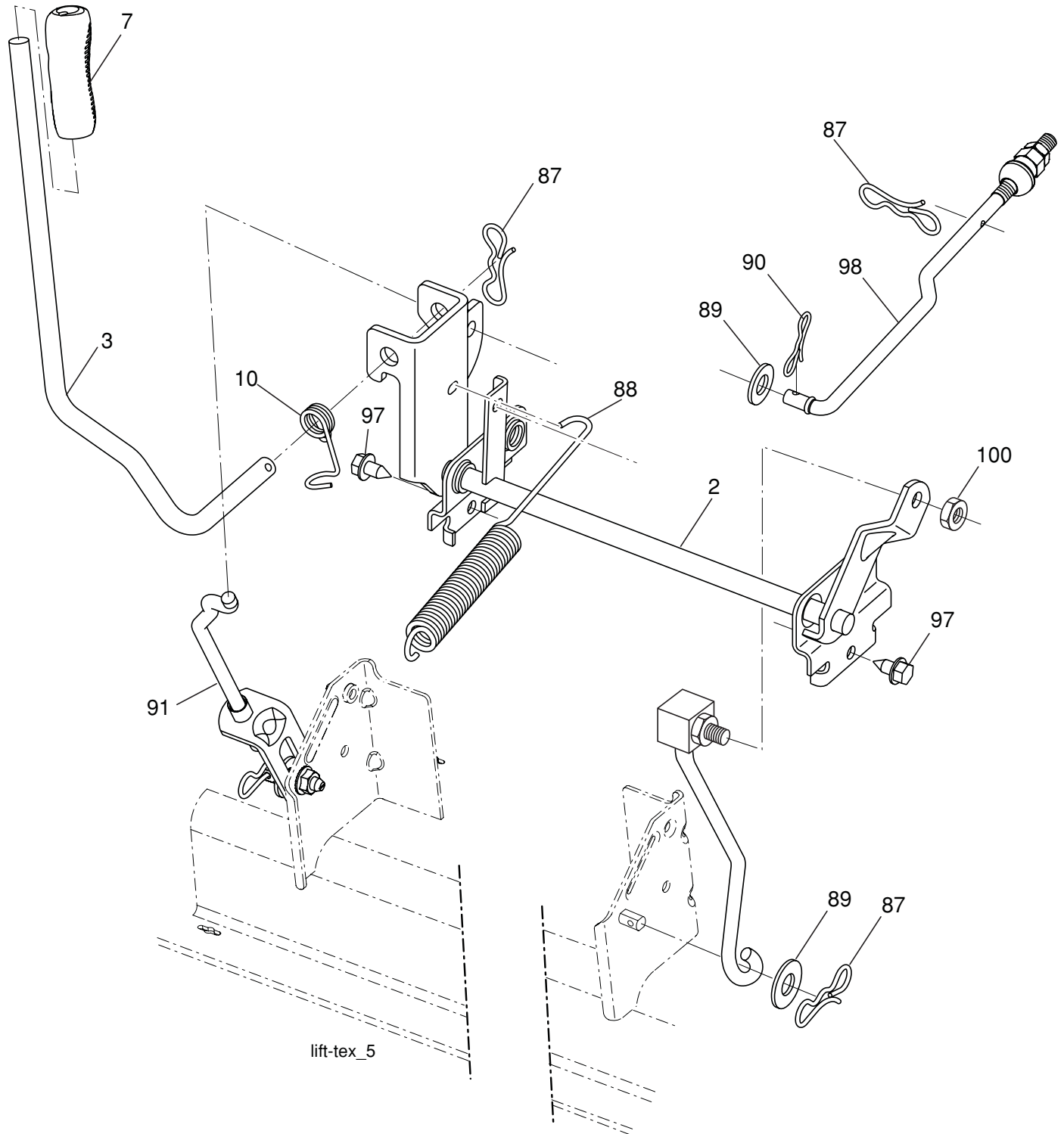
42_D_man-Tex_LT_13_r2

**TRACTOR - MODEL NO. P145107HP (96041001502), PRODUCT NO. 960 41 00 15
MOWER DECK**

KEY NO.	PART NO.	DESCRIPTION	KEY NO.	PART NO.	DESCRIPTION
1	532 19 64-95	Mower Housing	63	532 19 94-77	Arm Brake Mower
6	532 19 51-86	Arm Suspension	64	532 19 97-90	Linkage Brake
7	532 19 16-11	Screw 10 x 3/4 Single Hex	67	532 40 97-92	Handle Clutch
8	532 19 30-03	Bolt/Washer asm 7/16-20 unf	68	532 19 72-53	V-Belt
11	532 13 41-49	Blade, 42" Mulching (For bagging or discharge)	69	872 14 05-05	Bolt
13	532 19 28-72	Shaft Assembly, Mandrel	70	532 40 12-46	Clutch Asm Manual
14	532 18 72-81	Housing, Mandrel	101	532 19 31-07	Cover Mulching
15	532 11 04-85	Bearing, Ball, Mandrel	102	871 08 10-10	Screw 10-24 x 5/8
16	532 17 44-93	Stripper, Mower Deck	103	819 06 12-16	Washer #10
19	532 19 65-39	Bolt, Shoulder	104	810 07 10-00	Washer Lock #10
20	532 15 97-70	Baffle, Vortex	105	532 16 07-93	Latch Asm
21	873 68 05-00	Nut, Crownlock 5/16-18 UNC	106	532 12 50-04	Nut Weld
23	532 19 25-57	Bracket, Deflector	113	817 00 05-10	Bolt 5/16-18
24	532 10 53-04	Cap, Sleeve	116	532 12 48-42	Bolt, Shoulder
25	532 19 70-26	Spring, Torsion, Deflector	117	532 18 86-06	Wheel, Gauge
26	532 11 04-52	Nut, Push	118	873 93 06-00	Nut, Lock 3/8-16 UNC
27	532 40 30-04	Shield, Deflector	119	819 12 14-14	Washer 3/8 x 7/8 x 14 Ga.
29	532 13 14-91	Rod, Hinge	122	532 19 72-58	Keeper Belt Engine LH
30	532 17 39-84	Screw Thdrol Rolling Wsh Hd	123	532 19 72-59	Keeper Belt Engine RH
31	532 18 76-90	Washer, Spacer	144	532 19 92-04	Keeper Belt Mower
32	532 19 74-73	Pulley, Mandrel	147	532 40 19-71	Spring Return
33	532 40 02-34	Nut, Toplock, Flanged	145	532 19 31-97	Pulley Idler
34	872 11 06-12	Bolt Carr Sh. 3/8-16 x 1-1/2 Gr. 5	152	532 40 87-14	Cable Clutch Manual
36	532 19 73-79	Pulley, Idler, Primary	188	532 19 51-61	Stud Fastener
37	819 13 13-16	Washer 13/32 x 13/16 x 16 Ga.	189	873 90 05-00	Nut Lock Hex Flange
38	532 19 91-89	Keeper Belt LH Mandrel	192	532 19 72-60	Bracket Brake Stand LH
40	873 90 06-00	Nut, Lock Flg. 3/8-16 UNC	195	817 00 06-12	Screw 3/8-16 x 3/4
42	532 19 84-10	Spring Torsion Brake	--	532 19 28-70	Mandrel Assembly (Includes housing, shaft assembly, and bearing only - pulley/nut/washer and blade bolt/washers not included)
43	532 19 72-56	Spring Torsion Retainer	--	532 40 51-26	Replacement Mower, Complete
46	532 13 77-29	Screw 1/4-20 x 5/8			
47	532 19 72-50	Bracket Clutch Cable			
55	532 19 72-49	Arm, Idler			
56	532 19 90-92	Spacer, Retainer			
57	817 00 06-16	Screw 3/8-16 x 1			
59	532 14 10-43	Guard, Tuv Idler			
60	532 19 72-61	Arm Brake Mower			
62	872 11 06-16	Bolt 3/8-16 UNC x 2			

NOTE: All component dimensions given in U.S. inches
1 inch = 25.4 mm

TRACTOR - MODEL NO. P145107HP (96041001502), PRODUCT NO. 960 41 00 15
MOWER LIFT



KEY NO.	PART NO.	DESCRIPTION
2	532 19 52-23	Shaft Asm., Lift
3	532 19 52-31	Lever Asm., Lift Rh
7	532 41 15-55	Grip, Lever
10	532 19 63-14	Spring Torsion
87	532 19 42-09	Pin Cotter 7/16 Bow Tie Lock
88	532 41 07-10	Spring Lift Assist
89	819 19 19-12	Washer Clear Zinc
90	532 19 42-08	Pin Cotter 5/16 Bow Tie Lock

KEY NO.	PART NO.	DESCRIPTION
91	532 19 51-81	Link Lift Susp Mower Rear
97	817 00 06-12	Screw 3/8-16 x 3/4
98	532 19 52-70	Link Lift Susp. Front Mower
100	873 93 06-00	Nut Centerlock 3/8-16 UNC

NOTE: All component dimensions given in U.S. inches
 1 inch = 25.4 mm